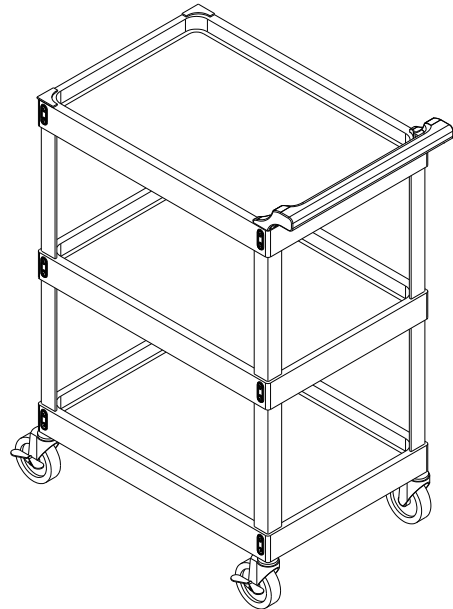




Professional Tool Cart

KTI-75120



⚠ WARNING: Cancer and Reproductive Harm-
www.P65Warnings.ca.gov

<p>1. Install handles on the top plate; Strengthen by installing screws from under the plate. Insert corner upright inners.</p>	<p>2. Install uprights to the plate.</p>
<p>3. Install screws (3/16*1/2) on each plate.</p>	<p>4. Install wheels.</p>

Description	Qty	Description	Qty	Description	Qty	Description	Qty
Plate	2	Upright	8	Swivel wheel	Each 2	Wheel Wrench	1
				Swivel wheel with brake		Washer (Wheel)	4
Lower Plate	1	Handle	1	Screw (handle) 3/16*1"	Each 2	Corner Upright Inner	2
				Washer (handle) 3/16x12x1		Screw 3/16*1/2	20