



OWNER'S MANUAL

1,000 LBS**TRANSMISSION JACK ADAPTOR**

Capacity	Minimum Lifting Range	Maximum Lifting Range	Saddle Forward Tilt	Saddle Backward Tilt	Base L x W
1000 lbs.	49-5/8 inch	68-3/4 inch	14°	72°	22-1/4 x 21-3/8 inch

⚠ WARNING: Cancer and Reproductive Harm - www.P65Warnings.ca.gov

GENERAL SAFETY RULES

- ⚠ WARNING: Read and understand all instructions.** Failure to follow all instructions listed below may result in serious injury.
- ⚠ CAUTION: Do not allow persons to operate or assemble this jack until they have read this manual and have developed a thorough understanding of how the jack works.**
- ⚠ WARNING: The warnings, cautions, and instructions discussed in this instruction manual cannot cover all possible conditions or situations that could occur.** It must be understood by the operator that common sense and caution are factors that cannot be built into this product, but must be supplied by the operator.

GENERAL SAFETY RULES IMPORTANT SAFETY CONSIDERATIONS

Jack use and care

- **Do not modify the Jack in any way.** Unauthorized modification may impair the function and/or safety and could affect the life of the equipment. There are specific applications for which the Jack was designed.
- **Always check for damaged or worn out parts before using the jack.** Broken parts will affect the jack operation. Replace or repair damaged or worn parts immediately.
- **Store the jack.** When jack is not in use, store it in a secure place out of the reach of children. Inspect it for good working condition prior to storage and before re-use.
- **Not for use by children** or people with reduced mental capacity.
- **Do not use under the influence of drugs or alcohol.**
- **Ensure children and other bystanders are kept at a safe distance when using product.**

Inspection

- Inspect the jack carefully before each use. Ensure the jack is not damaged, excessively worn, or missing parts.
- Do not use the jack unless it is properly lubricated.
- Using a jack that is not in good clean working condition or properly lubricated may cause serious injury.
- Inspect the work area before each use. Make sure it is free and clear of any potential hazards.

DO NOT OPERATE OR REPAIR THIS EQUIPMENT WITHOUT READING THIS MANUAL.

To maintain the service jack and user safety, the responsibility of the owner is to read and follow these instructions.

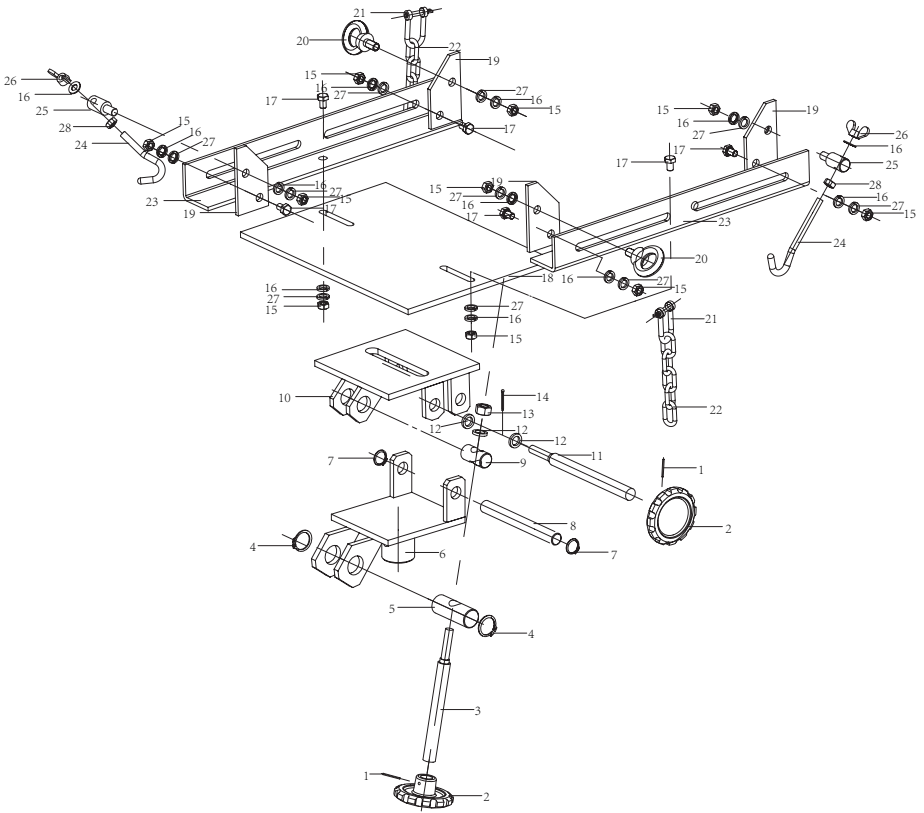
- Inspect the service jack for proper operation and function.
- Keep instructions readily available for equipment operators.
- Make certain all equipment operators are properly trained; understand how to safely and correctly operate the unit.
- Allow unit operation only with all parts in place and operating properly.
- Use only genuine replacement parts.
- Service and maintain the unit only with authorized or approved replacement parts; negligence will make the jack unsafe for use and void the warranty.
- Carefully inspect the unit on a regular basis and perform all maintenance as required.
- Store these instructions in the handle of your jack.
- Keep all decals on the unit clean and visible.

SAFETY MARKINGS

⚠ WARNING!

1. Study, understand, and follow all instructions before operating this device.
2. Do not exceed rated capacity.
3. Use only on hard, level surfaces, with less than 3 degrees of slope.
4. Lifting device only. Immediately after lifting, support the vehicle with appropriate means.
5. Do not move or dolly the vehicle while on the jack.
6. Lift only on areas of the vehicle as specified by the vehicle manufacturer.
7. No alterations shall be made to this product.
8. Only attachments and/or adapters supplied by the manufacturer shall be used.
9. Do not get under or allow anyone under the vehicle until it has been supported by jack stands.
10. Center load on saddle prior to lifting.
11. Use wheel chocks or other blocking device on opposing wheels before using jack.
12. Never use on a lawn mower or lawn tractor.
13. Do not use this jack for any use other than the manufacturer specified usage.
14. Do not rock the vehicle while working on or around equipment.
15. The following are not recommended for supporting on this equipment: Foundations, Homes, Mobile Homes, Trailers, RV's, Campers, nor Fifth Wheels, etc...
16. Failure to heed these markings may result in personal injury and/or property damage.

PARTS BREAKDOWN



Ref.	Description	QTY
1	Pin 5x242	
2	Handwheel	2
3	Screw1	
4	Retaining ring 252	
5	Middle axis	1
6	Lower bracket assembly	1
7	Retaining ring 162	
8	Axis	1
9	Short axis	1
10	Bench panel parts	1
11	Long spiral rod	1
12	Washer 103	
13	Lock nut M10	1
14	Pin 2.5x261	

Ref.	Description	QTY
15	Nut M10	10
16	Washer 101	2
17	Bolt M10x25	6
18	Upper bracket assembly	1
19	Corner plate	4
20	Lifting bolt M10	2
21	shackle	2
22	Chain	2
23	Countertop side panel	2
24	Hook	2
25	Hook seat	2
26	Butterfly type nut M82	
27	Spring washer 101	0
28	Nut M82	

WARRANTY

K-Tool International HD and XD service-related equipment 2 Year Limited Warranty.

K-Tool International warrants that all jacks and service-related equipment will be free from defects in material and workmanship for a period of 2 years following the original date of purchase. This warranty is extended to the original retail purchaser only. If any jack or service-related item proves to be defective during this period, it will be replaced or repaired, at K-Tool International's option, without charge. This warranty does not apply to damage from accident, overload, misuse or abuse, nor does it apply to any equipment which has been altered or used with special attachments other than those recommended.

If you have any question about the use of this product, please contact



Michigan

www.ktoolinternational.com