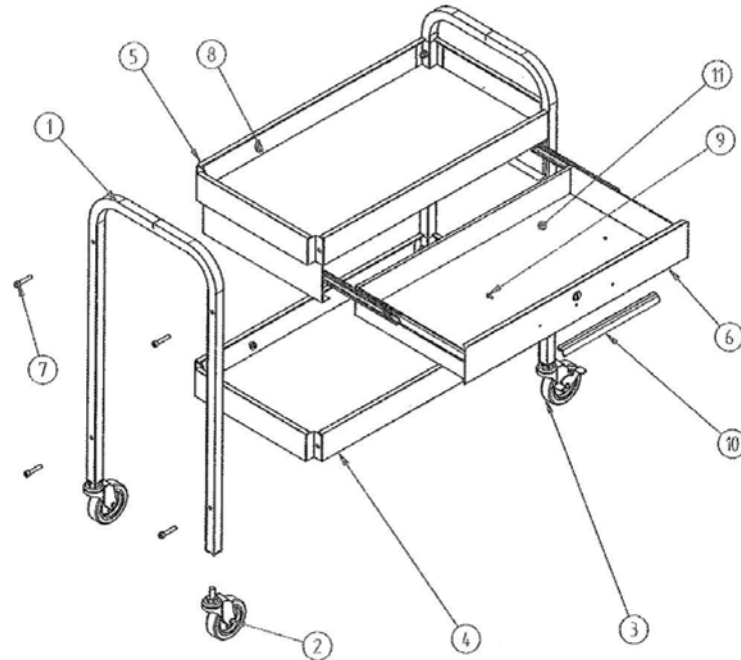




Two-shelf, one-drawer
Tool Cart
 Assembly Instructions



ITEM	PART NO.	DESCRIPTION	QUANTITY
1	KTP-75105-1	Frames	2
2	KTP-75105-2	Swivel casters	2
3	KTP-75105-3	Swivel casters with brake	2
4	KTP-75105-4	Lower tray	1
5	KTP-75105-5	Upper tray	1
6	KTP-75105-6	Drawer	1
7	KTP-75105-7	Bolts (M8 x 40)	8
8	KTP-75105-8	Nuts (M8)	8
9	KTP-75105-9	Screws (for drawer handle)	3
10	KTP-75105-10	One-piece drawer handle	1
11	KTP-75105-11	Drawer liner	1



WARNING!

READ AND UNDERSTAND ALL INSTRUCTIONS BEFORE USE.

DO NOT stand on this product. You may fall which may cause personal injury.

DO NOT mount this product on any moving object.

DO NOT TOW with power equipment. It may tip, which may cause personal injury or product damage.

ONLY move the product on a level surface.

K-Tool International
 31111 Old Wixom Road
 Wixom, Michigan 48393
 ph. 800.762.6002
www.ktoolinternational.com