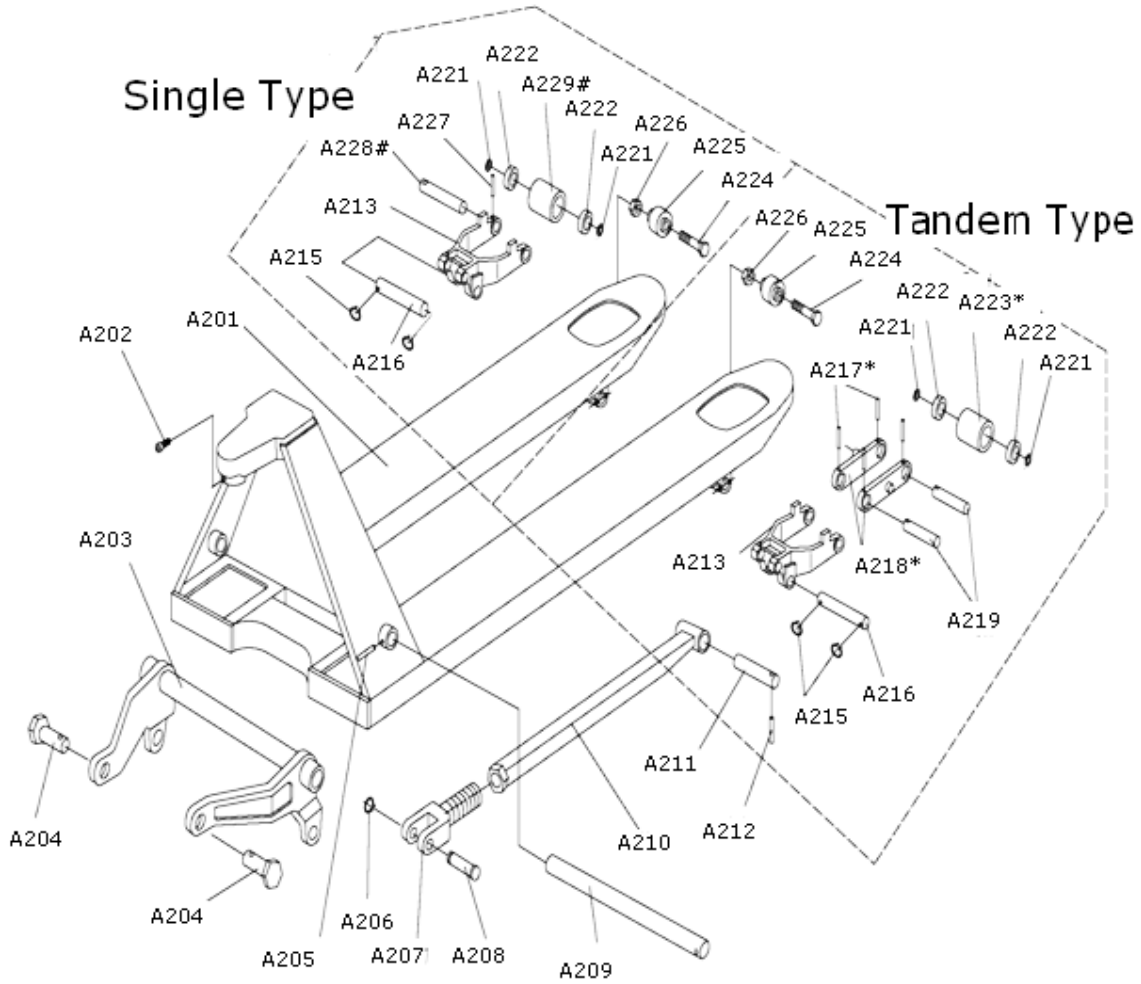


LIST of DRAW-BAR

No.	Description	Qty.	Remark
A101	Release Rod	1	
A102	Chain	1	
A103	Adjusting Bolt	1	
A104	Adjusting Nut	1	
A105	Axle with Hole	1	
A106	Elastic Pin	2	
A107	Bushing	2	
A108	Roller Pin	1	
A109	Pressure Roller	1	
A109A	Elastic Pin	1	
A110	Draw-bar	1	For Type A
A110B	Draw-bar	1	For Type B
A111	Stop Rubber	1	
A112	Elastic Pin	1	
A113	Blade Spring	1	
A114	Spring	1	
A115	Elastic Pin	1	
A116	Elastic Pin	1	
A117	Control Handle	1	
A118	Roller	1	
A119	Elastic Pin	1	
A120	Pin	1	
A121	Pull Board	1	
A122	Pin	1	

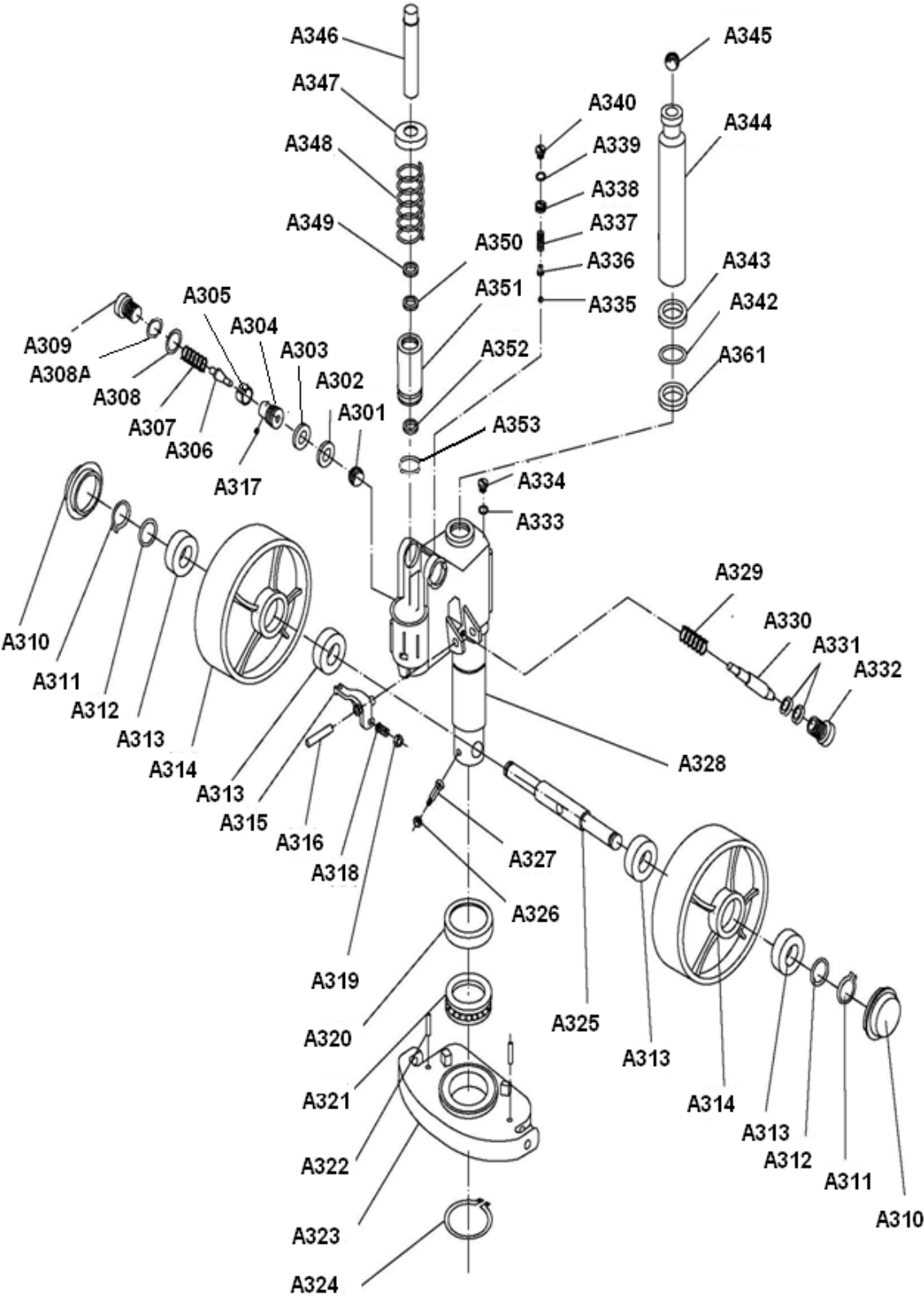


LIST OF FORK FRAME

No.	Description	Qty.	No.	Description	Qty.
A201	Fork Frame	1	A216	Shaft	2
A202	Bolt	1	A217*	Elastic Pin	4
A203	Rock-Arm	1	A218*	Linking Plate	4
A204	Shaft	2	A219	Shaft for Roller	1or4
A205	Pin	1	A221	Washer	8or4
A206	Retaining Ring	2	A222	Bearing	8or4
A207	Adjust Seat	2	A223*	Loading Roller	4
A208	Pin	2	A224	Bolt	2
A209	Shaft	1	A225	Enter Roller	2
A210	Pushing Rod	2	A226	Nut	8or2
A211	Shaft	2	A227	Elastic Pin	2
A212	Elastic Pin	2	A228#	Shaft for Roller	2
A213	Frame of Roller	2	A229#	Loading Roller	2
A215	Retaining Ring	2			

NOTE: *-- For double wheel; #-- For single wheel

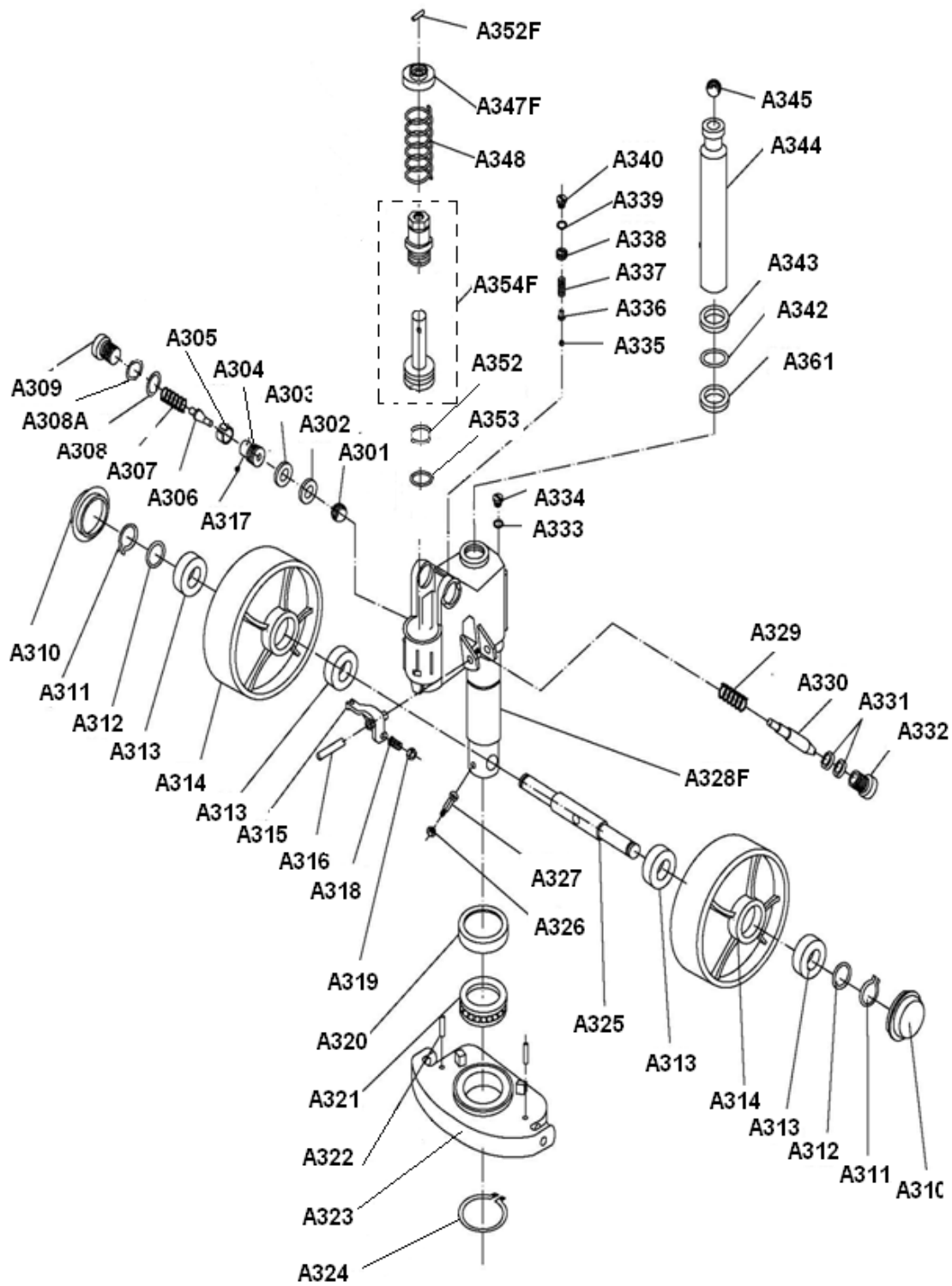
Type A pump



Type A pump

No.	Description	Quantity	No.	Description	Quantity
A301	Steel Ball	1	A327	Bolt	1
A302	Seal Washer	1	A328	Pump Body	1
A303	O-Ring	1	A329	Spring	1
A304	Seat of pumping valve	1	A330	Strike pin	1
A305	Sleeve	1	A331	O-Ring	1
A306	Spindle of pumping valve	1	A332	Axle Sleeve	1
A307	Spring	1	A333	Seal Washer	1
A308	O-Ring	1	A334	Screw Plug	1
A308A	Washer	1	A335	Steel Ball	1
A309	Screw	1	A336	Spindle of Safety Valve	1
A310	Dust Cover	1	A337	Spring	1
A311	Spring Washer	2	A338	Bolt	1
A312	Washer	2	A339	O-Ring	1
A313	Bearing	4	A340	Screw Plug	1
A314	Loading Wheel	2	A342	O-Ring	1
A315	Lever Plate	1	A343	Dust Ring	1
A316	Elastic Pin	1	A344	Piston Rod	1
A317	Elastic Pin	1	A345	Screw Ball	1
A318	Screw	1	A346	Pump Piston	1
A319	Nut	1	A347	Spring Cap	1
A320	Cover of Bearing	1	A348	Spring	1
A321	Bearing	1	A349	Dust Ring	1
A322	Elastic Pin	2	A350	Seal	1
A323	Thrust Plate	1	A351	Dust Cover	1
A324	Retaining Ring	1	A352	O-Ring	1
A325	Shaft of Loading Wheel	1	A353	Seal Washer	1
A326	Nut	1	A361	Seal	1

Quick Lifting Pump



QUICK LIFTING HYDRAULIC PUMP

No	Description	Qty.	No	Description	Qty.
A301	Steel Ball	1	A327	Bolt	1
A302	Seal Washer	1	A328	Pump for Quick Lifting	1
A303	O-Ring	1	A329	Spring	1
A304	Seat of pumping valve	1	A330	Strike pin	1
A305	Sleeve	1	A331	O-Ring	1
A306	Spindle of pumping valve	1	A332	Axle Sleeve	1
A307	Spring	1	A333	Seal Washer	1
A308	O-Ring	1	A334	Screw Plug	1
A308A	Washer	1	A335	Steel Ball	1
A309	Screw	1	A336	Spindle of Safety Valve	1
A310	Dust Cover	1	A337	Spring	1
A311	Spring Washer	2	A338	Bolt	1
A312	Washer	2	A339	O-Ring	1
A313	Bearing	4	A340	Screw Plug	1
A314	Loading Wheel	2	A342	O-Ring	1
A315	Lever Plate	1	A343	Dust Ring	1
A316	Elastic Pin	1	A344	Piston Rod	1
A317	Elastic Pin	1	A345	Screw Ball	1
A318	Screw	1	A347F	Spring Cap	1
A319	Nut	1	A348	Spring	1
A320	Cover of Bearing	1			
A321	Bearing	1	A352F	Pin	1
A322	Elastic Pin	2	A352	O-Ring	1
A323	Thrust Plate	1	A353	Washer	1
A324	Retaining Ring	1	A354F	Quick Pump	1
A325	Shaft of Loading Wheel	1	A361	Seal	1
A326	Nut	1			